

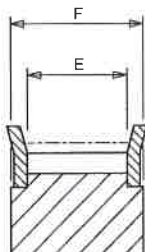
Classical Timing Belt Pulleys



Classical Timing Belt Pulleys have evenly spaced grooves cut in their periphery, to make correct, positive engagement with the mating teeth of the belt. Cross & Morse pulleys are manufactured with involute groove form to enable the teeth to enter and leave the pulley with negligible friction and minimum backlash.

Pulleys are available in a number of stock widths and large selection of numbers of teeth to provide maximum versatility in drive selection. Pulleys for 3/8" pitch 'L', and 1/2" pitch 'H', drives are available with pilot bore for reworking to customers requirements or with taper bush for the complete off the shelf drive. All pulleys are precision manufactured to close tolerances to ensure concentric running, and it is important when reworking stock pulleys to accurately locate on the outside diameter to maintain concentricity.

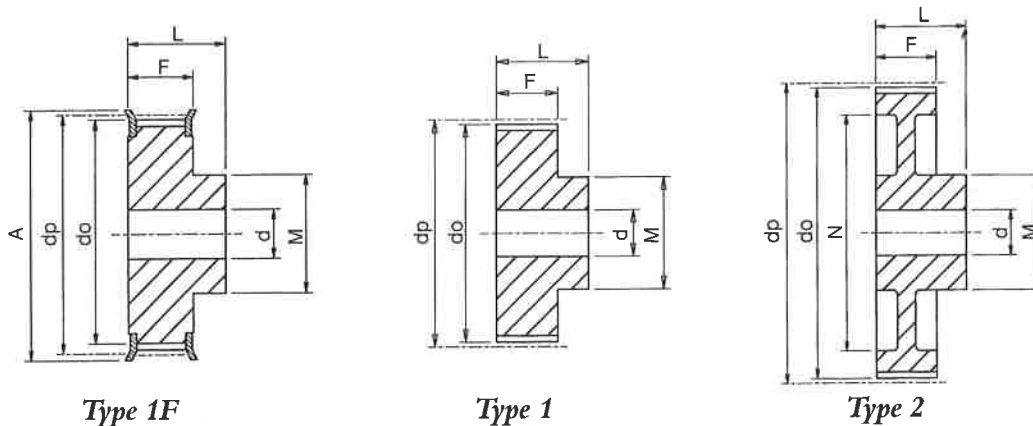
Pulleys of non-standard widths or numbers of teeth can be supplied to order, or alternately teeth can be cut on customers blanks. All pulleys are manufactured in good quality steel except for larger pulleys where cast iron is used (1/5" pitch 'XL' are also available in aluminium. Generally pulleys up to 48 teeth are supplied with two flanges to retain the timing belt. These flanges are accurately machined, pressed onto the pulley bodies and retained by spin rivetting. Dimensions over and between flanges for standard pulleys are indicated below. The dimension over the flanges is generally the same as recommended width of tooth for unflanged pulleys.



Belt Size	(1/5") XL	(3/8") L			(1/2") H			
Belt Width Ref.	XL037	L050	L075	L100	H100	H150	H200	H300
Belt Width	3/8"	1/2"	3/4"	1"	1"	1 1/2"	2"	3"
E	10.7	14.3	20.8	27.0	27.0	40.0	53.0	79.0
F min.	14.3	19.0	25.5	32.0	32.0	45.0	58.0	84.0

Standard Pulleys for XL (1/5" pitch) Belts

Pulley Types available in both steel and aluminium. For steel add 'C' to part number, for aluminium add 'L'.



Catalogue No.	No. Teeth Z	Pulley Type	Pitch Circle Dia. dp	Min. Bore d	Max. Bore d	Outside Diameter do	Flange Diameter A	Pulley Width F	Bore Length L	Hub Diameter M	Rim Diameter N	Approx Weight kg
1/5" Pitch Pulleys for 3/8" Wide Belts. Ref. XL037												
10XL037	10	1F	16.17	4.0	6	15.7	23	14.3	20.0	9.5	-	0.02
11XL037	11	1F	17.79	4.0	6	17.3	23	14.3	20.0	9.5	-	0.02
12XL037	12	1F	19.40	4.0	7	18.9	25	14.3	20.0	10.0	-	0.03
13XL037	13	1F	21.02	4.0	7	20.5	28	14.3	20.0	10.0	-	0.04
14XL037	14	1F	22.64	4.0	10	22.1	28	14.3	20.0	15.0	-	0.05
15XL037	15	1F	24.26	6.0	10	23.8	28	14.3	20.0	15.0	-	0.05
16XL037	16	1F	25.87	6.0	10	25.4	32	14.3	20.0	16.0	-	0.06
17XL037	17	1F	27.49	6.0	13	27.0	35	14.3	20.0	20.0	-	0.07
18XL037	18	1F	29.11	6.0	13	28.6	35	14.3	20.0	20.0	-	0.08
19XL037	19	1F	30.72	6.0	13	30.2	38	14.3	22.0	20.0	-	0.09
20XL037	20	1F	32.34	6.0	15	31.8	38	14.3	22.0	23.5	-	0.11
21XL037	21	1F	33.96	6.0	15	33.5	38	14.3	22.0	23.5	-	0.12
22XL037	22	1F	35.57	6.0	16	35.1	41	14.3	22.0	25.0	-	0.13
24XL037	24	1F	38.81	6.0	20	38.3	44	14.3	22.0	30.0	-	0.15
26XL037	26	1F	42.04	8.0	20	41.5	48	14.3	22.0	30.0	-	0.19
27XL037	27	1F	43.66	8.0	20	43.2	48	14.3	22.0	30.0	-	0.20
28XL037	28	1F	45.28	8.0	22	44.8	51	14.3	22.0	34.0	-	0.22
30XL037	30	1F	48.51	8.0	25	48.0	54	14.3	22.0	38.0	-	0.24
32XL037	32	1F	51.74	8.0	25	51.2	57	14.3	25.0	38.0	-	0.12
34XL037	34	1	54.98	8.0	29	54.5	-	14.3	25.0	45.0	-	0.12
35XL037	35	1	56.60	8.0	29	56.1	-	14.3	25.0	45.0	-	0.13
36XL037	36	1	58.21	8.0	29	57.7	-	14.3	25.0	45.0	-	0.14
38XL037	38	1	61.45	8.0	29	61.0	-	14.3	25.0	45.0	-	0.16
40XL037	40	1	64.68	8.0	29	64.2	-	14.3	25.0	45.0	-	0.17
42XL037	42	1	67.91	8.0	29	67.4	-	14.3	25.0	45.0	-	0.18
44XL037	44	1	71.15	8.0	29	70.6	-	14.3	25.0	45.0	-	0.19
48XL037	48	2	77.62	10.0	29	77.1	-	14.3	25.0	45.0	61	0.21
60XL037	60	2	97.02	10.0	29	96.5	-	14.3	25.0	45.0	80	0.25
72XL037	72	2	116.43	10.0	29	115.9	-	14.3	25.0	45.0	100	0.30

All dimensions in mm.

Email sales@crossmorse.com
 Fax +44 121 325 1079
 Tel +44 121 360 0155